

PTS850 Series

5.4x5mm SMT Side Actuated Tactile



Specifications

Function	Momentary action
Contact Arrangement	1 make contact = SPST NO
Terminals	SMT Termination
Travel	0.2mm ± 0.1mm
Life	50,000 cycles

Electrical Characteristics

Max. Voltage	12 VDC
Max. Current DC	50 mA
Contact Resistance	500 mΩ
Insulation Resistance	100 mΩ min.

Environmental Characteristics

Operating Temperature	-40°C to 85°C
Storage Temperature	-30°C to 85°C

Process

Soldering	This component is suited to the following methods: Infrared Reflow Soldering in accordance with IEC61760-1
Packaging	2,000 pieces per reel

Note:

The PTS series is not certified for using in Automotive application and no PPAP. However, in the case of some automotive accessories and specific applications for 2 and 3 wheeled vehicles the PTS is widely used and very suitable. Please contact your local C&K representative to discuss your application and the best switch solution.

Description

PTS850 series, the low profile and small size side actuated tactile switch, has a size of only 5.4 x 5.0 mm and product height above PCB only 1.8 mm. With the low profile design and small size, PTS850 gives designers the flexibility to either free up space in their designs to add additional functionality or reduce the overall size of PCB. PTS850 series is available in 180 gf and 350 gf operating forces, with or without boss, which are the most common versions used in the market. The high quality and low profile PTS850 tactile switch is perfect solution to high-end consumer wearable and medical device markets.

Features & Benefits

- 5.4 x 5.0 x 1.8 mm package
- SMT termination
- Side actuated with or without boss design
- 180 & 350 gf versions
- Lifecycles 50K

Applications

- Headphone/ Headset
- Health monitoring
- Sports watch
- Black box
- Bluetooth accessory
- Navigation

Ordering Information

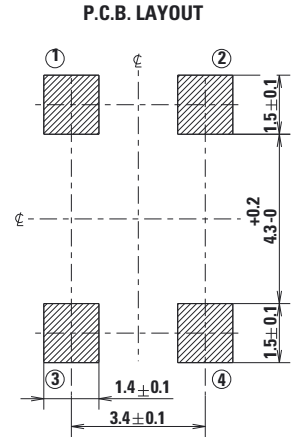
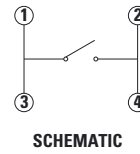
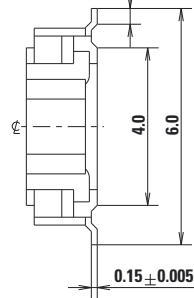
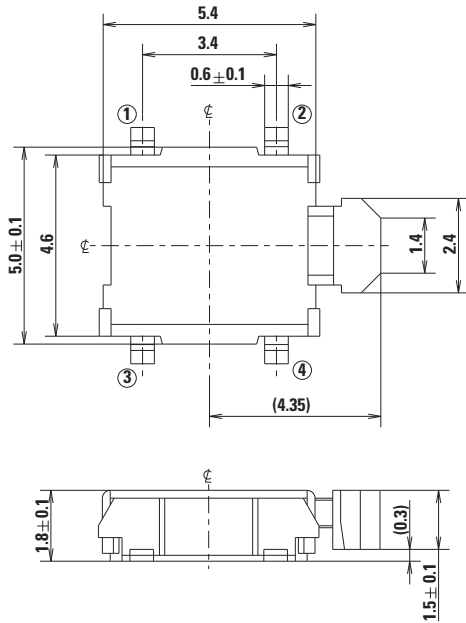
Type	Operation Force (gf)	Stem Colour	Remark
PTS850VM18PSMTR LFS	180 + 80/- 40	Black	With Boss
PTS850VR18PSMTR LFS	350 ± 80	Natural	
PTS850VM18SMTR LFS	180 + 80/- 40	Black	Without Boss
PTS850VR18SMTR LFS	350 ± 80	Natural	

PTS850 Series

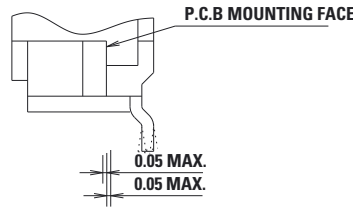
5.4x5mm SMT Side Actuated Tactile



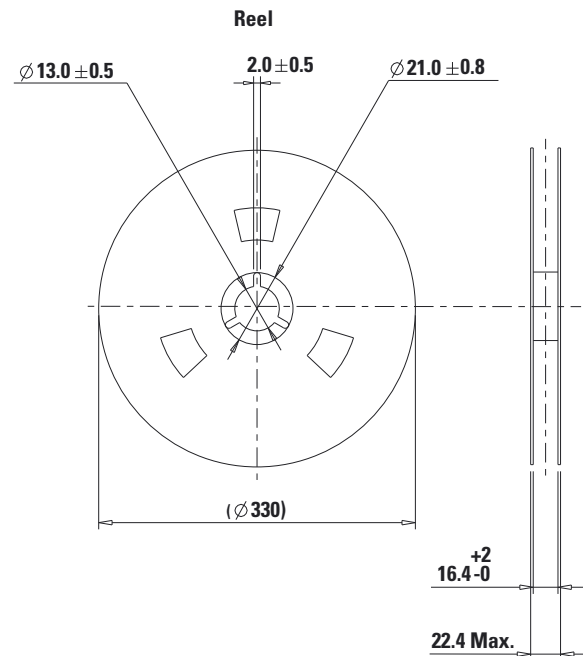
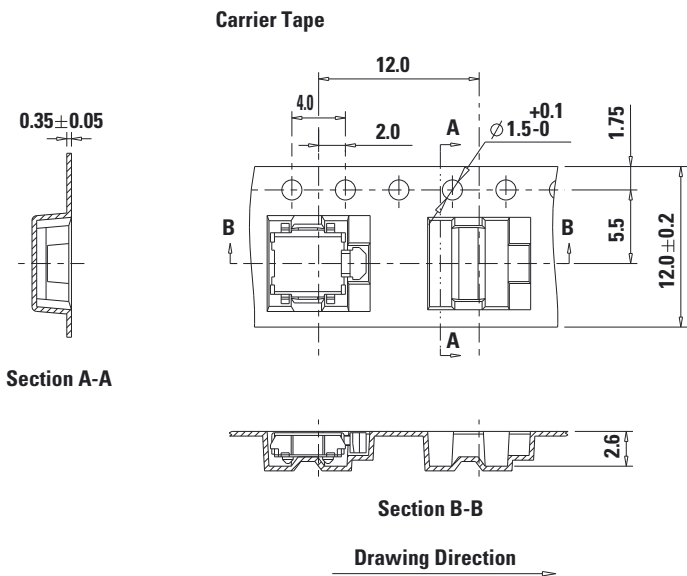
Without Boss



HATCHED AREA SHOWS SOLDERING LAND



Tape & Reel

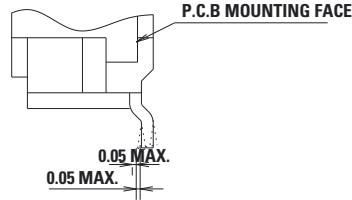
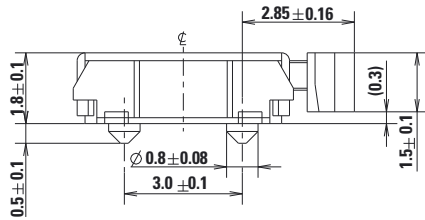
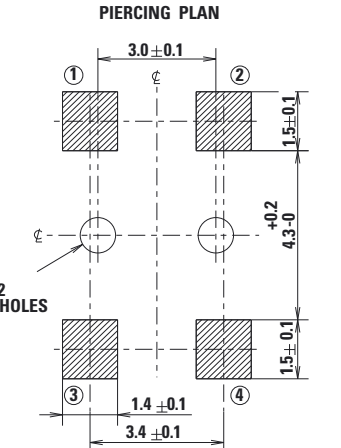
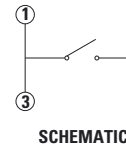
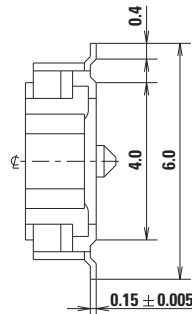
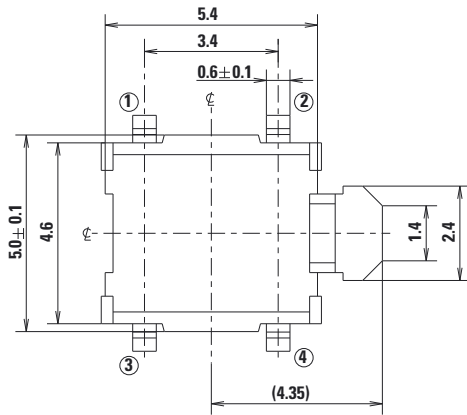


PTS850 Series

5.4x5mm SMT Side Actuated Tactile

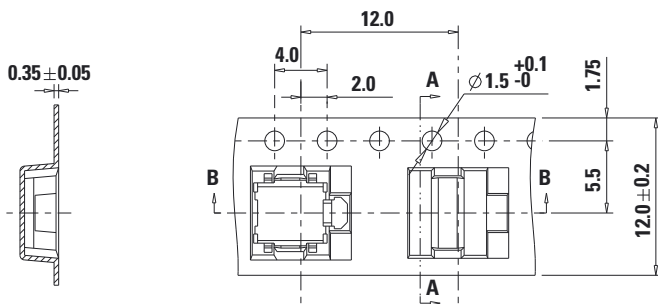


With Boss

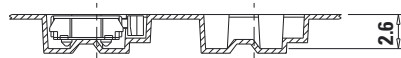


Tape & Reel

Carrier Tape



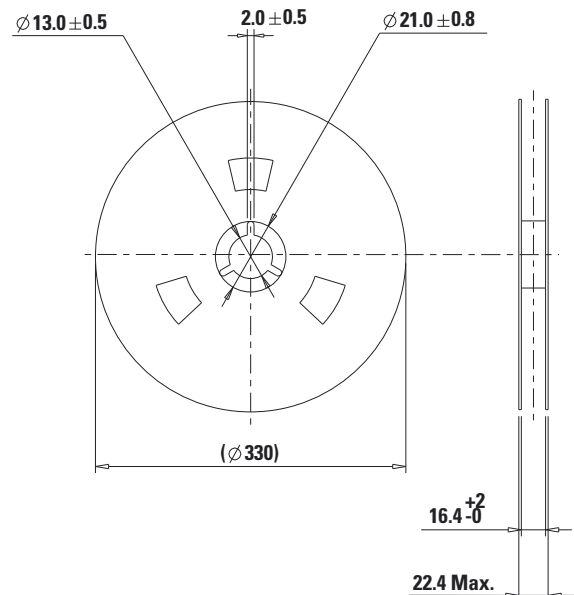
Section A-A



Section B-B

Drawing Direction →

Reel



Disclaimer Notice - Information furnished is believed to be accurate and reliable. However, users should independently evaluate the suitability of and test each product selected for their own applications. Littelfuse products are not designed for, and may not be used in, all applications. Read complete Disclaimer Notice at <http://www.littelfuse.com/disclaimer-electronics>.