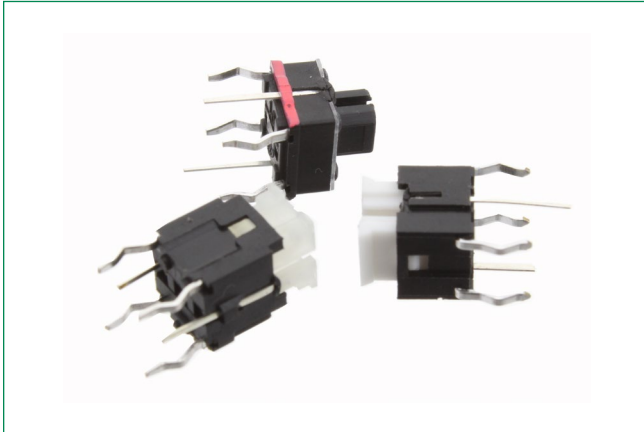


ILS Series

Integrated LED Tactile Switch



Description

The ILS series is a new range of illuminated tact switch with different height and integrated LED in THT soldering leads.

Features & Benefits

- Compact Size
- THT versions
- Different heights
- Several LED colors
- High life cycles

Applications

- Consumer electronics
- Health monitoring device
- Test & measurement
- Audio/Video control board

Specifications

Travel	0.25 mm ± 0.1 mm
---------------	------------------

Mechanical Characteristics

Operating Life	100,000 cycles (250m Ω max)
-----------------------	-----------------------------

Electrical Characteristics

Rating	100mA max. @ 30 VDC 10µA min. @ 1 VDC
Insulation Resistance	100M Ω min.
Dielectric Withstanding Voltage	250VAC (50-60 Hz) for 1 min.
Bounce Time	On/Off 5 ms max.
Initial Contact Resistance	100 mΩ max.

Environmental Characteristics

Operating Temperature	-40°C to 85°C
Storage Temperature	-40°C to 85°C

Process

Packaging	Bulk packaging in bag of 500 pieces, 2 bags per carton box
------------------	---

Notes:

All caps are not recommended to soldering process

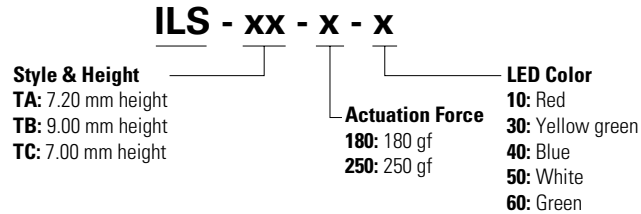
ILS Series

Integrated LED Tactile Switch



Ordering Number

Our easy build-a-switch concept allows you to mix and match options to create the switch you need. To order, select desired option from each category and place it in the appropriate box. For any part number different from those listed above, please consult your local representative.



Notes:
Other colors available by request

LED Color / Brightness

LED Parameter	Symbol	Condition	Units	Standard LED Color Options				
				Red	Yellow/Green	Blue	White	Green
Power Dissipation	Pd	-	mW	52	60	120	18	120
Forward Current	IF	-	mA	20	20	30	5	30
Peak Forward Current ¹	IFP	-	mA	100	100	100	100	100
Reverse Voltage	VR	-	V	5	5	5	5	5
Operating Temperature	Topr	-	-	-40°C to 85°C	-40°C to 85°C	-40°C to 85°C	-40°C to 85°C	-40°C to 85°C
Storage Temperature	Tstg	-	-	-40°C to 85°C	-40°C to 85°C	-40°C to 85°C	-40°C to 85°C	-40°C to 85°C
Forward Voltage	Vf	F= 5mA	V	2.6 max.	2.3 max.	3.2 max.	3.6 max.	3.4 max.
Luminous Intensity	Iv	F= 5mA	mcd	140 min.	100 min.	63 min.	94 min.	1000 min.
Reverse Current	IR	F= 5mA	µA	100 max.	-	-	1 max.	-
Peak Wave Length	λp	F= 5mA	nm	644	570	460	-	521.5
Dominant Wave Length	λd	F= 5mA	nm	620 min.	567-573	465-470	-	515-525
Spectral Line Half-width	Δλ	F= 5mA	nm	20	30	30	-	30
Viewing Angle	2θ1/2	F= 5mA	deg	35	35	35	35	35

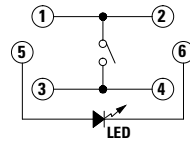
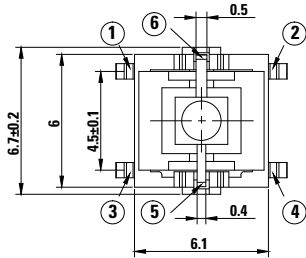
ILS Series

Integrated LED Tactile Switch

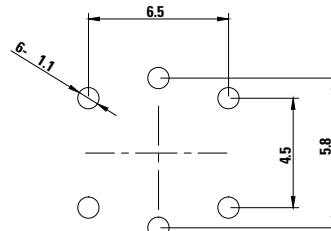
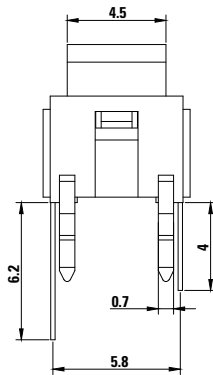
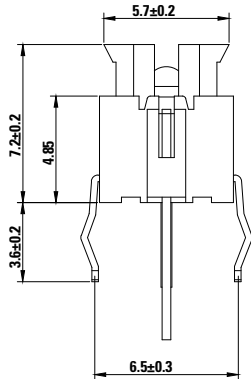


Styles (mm)

TA

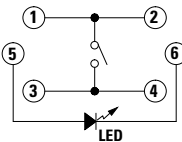
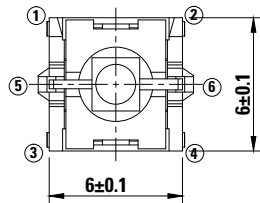


CIRCUIT DIAGRAM

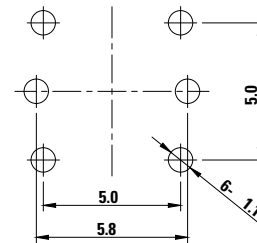
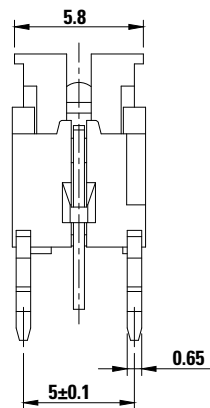
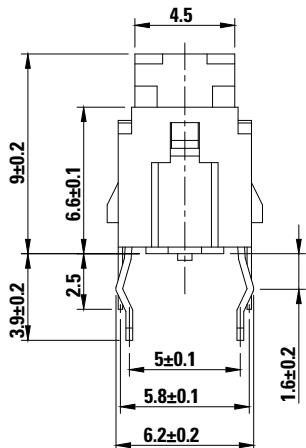


P.C.B LAND DIMENSION

TB



CIRCUIT DIAGRAM



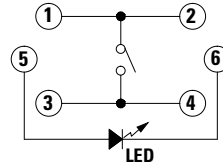
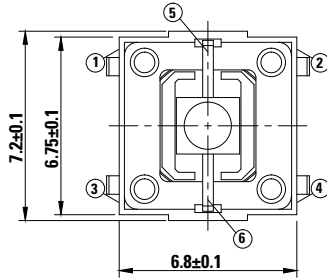
P.C.B LAND DIMENSION

ILS Series

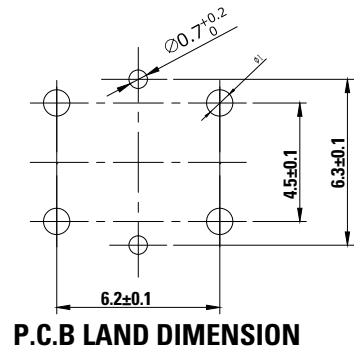
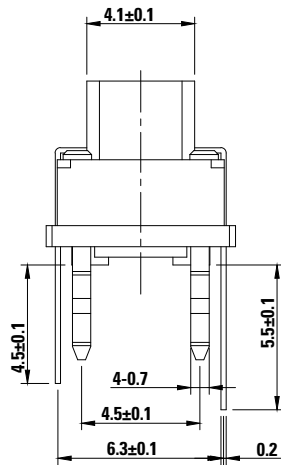
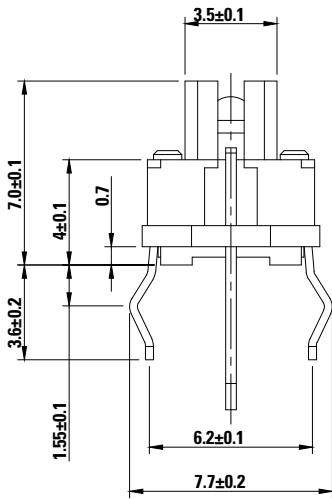
Integrated LED Tactile Switch



TC

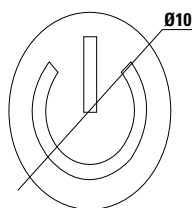
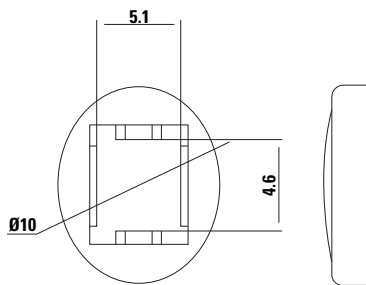


CIRCUIT DIAGRAM

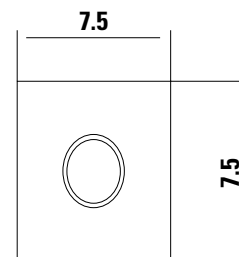
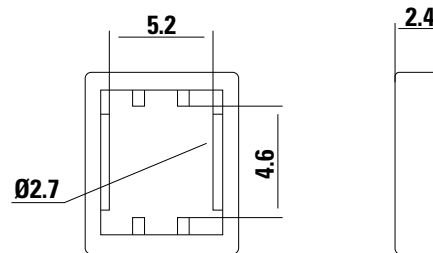


P.C.B LAND DIMENSION

ILSCAPR0690-10
Round cap, grey with power logo



ILSCAPS757501
Square cap with hole

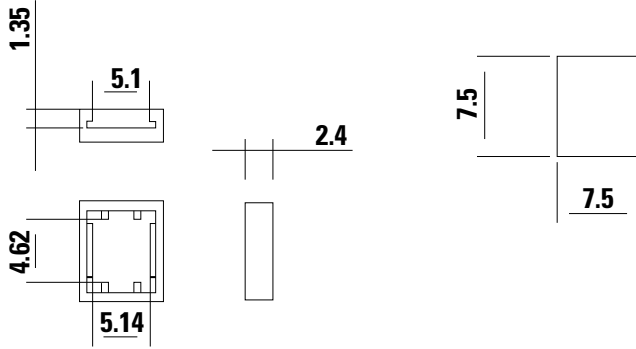


ILS Series

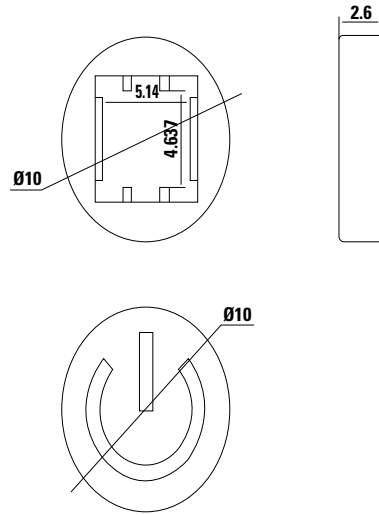
Integrated LED Tactile Switch



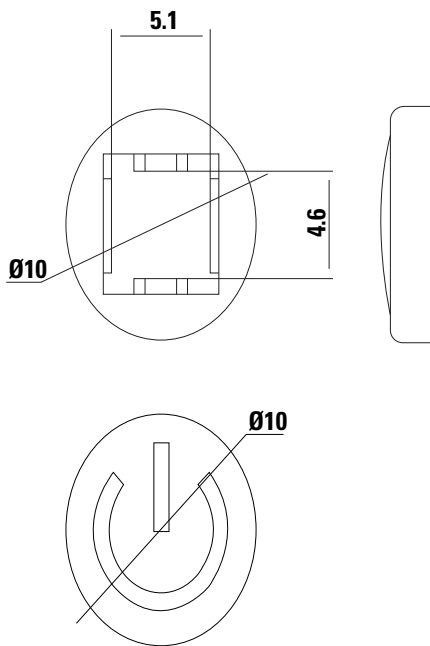
ILSCAPS757502 (Nature)
ILSCAPS757503 (Grey)
 Square cap without hole



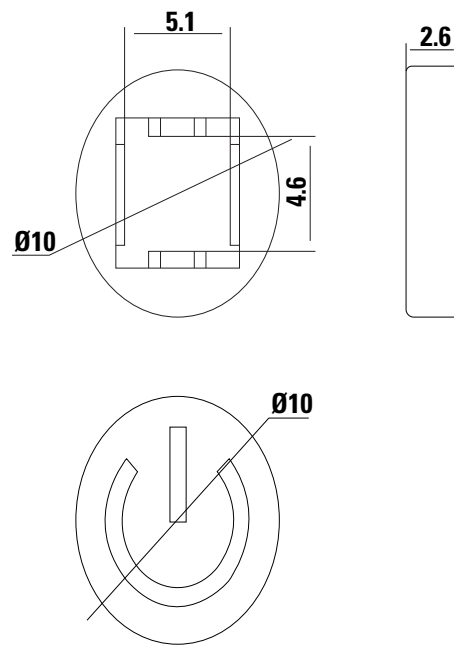
ILSCAPR0690-10B
 Round cap, black with power logo



ILSCAPR0690
 Round cap, grey with power logo



ILSCAPR0691
 Round cap, without power logo



Disclaimer Notice - Information furnished is believed to be accurate and reliable. However, users should independently evaluate the suitability of and test each product selected for their own applications. Littelfuse products are not designed for, and may not be used in, all applications. Read complete Disclaimer Notice at <http://www.littelfuse.com/disclaimer-electronics>.