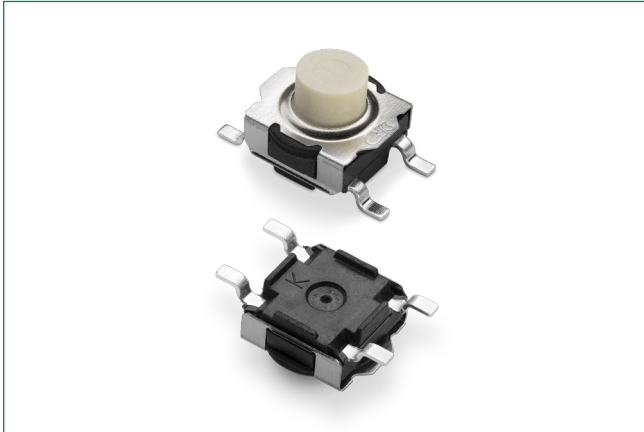


KT Series

Full SMT Top & Side Actuated Sealed Tactile Switch



Description

The KT series full SMT top and side actuated sealed tact switch has a high shear force with an extended bracket that gives it a long operating life. This feature, along with the KT's G or J terminations, makes it ideal for computer, instrumentation and power supply applications.

Features & Benefits

- Full SMT side-actuated tact switch
- SMT top-actuated tact switch with G or J terminations
- High shear force with extended bracket
- Easy to pick & place with top plate tab
- Rubber or hard plastic actuator
- Press fit or snap fit caps
- RoHS compliant and compatible

Specifications

Contact Arrangement	SPST, N.O.
Terminals	SMT termination
Packaging	Switches supplied in anti-static tape and reels per EIA 481-2. Tape and cover strip are conductive for use near statically sensitive components.

Applications

- Telecommunications
- Computer products
- Instrumentation
- Power supply

Electrical Characteristics

Contact Rating	1.0 VA max. @ 32 V AC or DC max.
Electrical & Mechanical Life	100,000 make-and-break cycles at full load.
Dielectric Strength	250 Vrms min. @ sea level
Contact Resistance	Below 50 mΩ typ. initial @ 2-4 V DC, 100 mA.
Insulation Resistance	10 ⁹ Ω min.

Environmental Characteristics

	Silver	Gold
Operating Temperature	-40°C to 90°C	-40°C to 125°C

Process

Soldering	Per MIL-STD-202F method 208D, or EIA RS-186E method 9 (1 hour steam aging).
Degree of Protection	IP57; protection against harmful dust deposits, full-scale voltage protection.

Notes:

Specifications listed above are for switches with standard options. For information on specific and custom switches, consult Customer Service Center.

KT Series

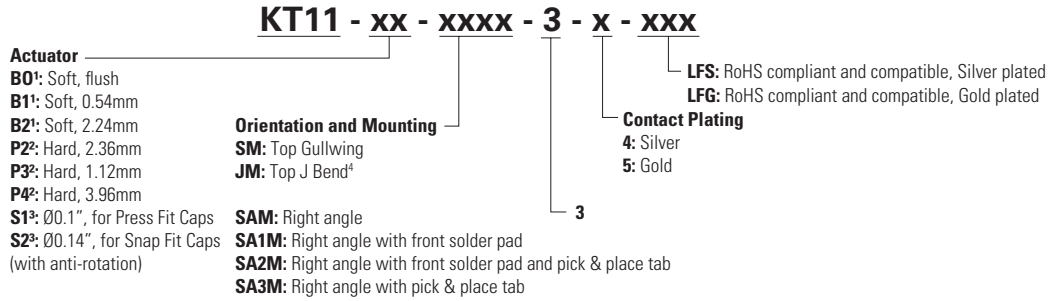
Full SMT Top & Side Actuated Sealed Tactile Switch



Ordering Number

Our easy build-a-switch concept allows you to mix and match options to create the switch you need. To order, select desired option from each category and place it in the appropriate box. For any part number different from those listed above, please consult your local representative.

Switch



Notes

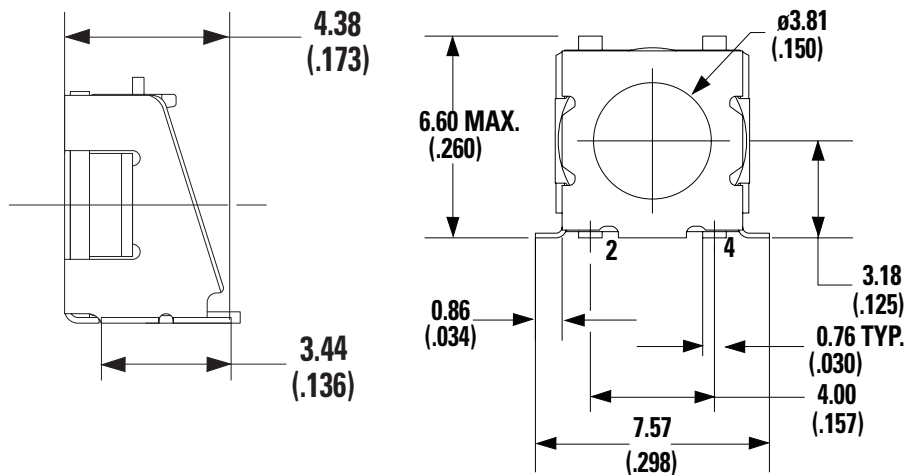
1. B0, B1 & B2 available with A, A1 & A3 mounting bracket only.
2. P2, P3, P4 actuators suitable with A1 & A2 mounting bracket only.
3. S1 & S2 available with A1 & A2 mounting bracket only.
4. JM available with B0, B1, B2, P2, P3, P4 without mounting bracket.

Button - To order buttons in bulk

BTN - KT11 - xx - xx



Series KT11



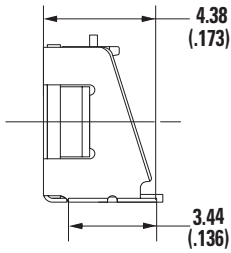
KT Series

Full SMT Top & Side Actuated Sealed Tactile Switch

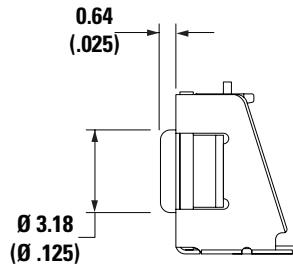


Actuator

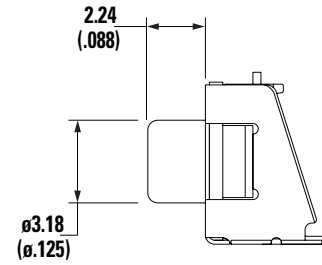
B0 Soft, Flush¹



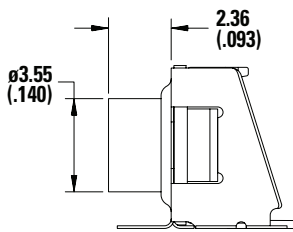
B1 Soft, 0.64mm¹



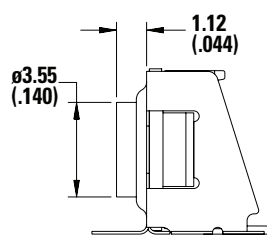
B2 Soft, 2.24mm¹



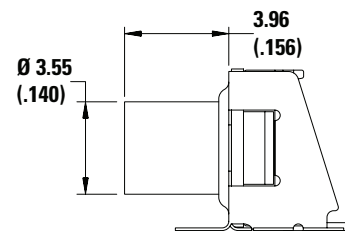
P2 Hard, 2.36mm



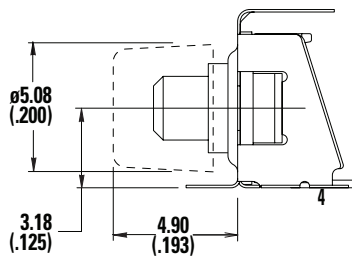
P3 Hard, 1.12mm



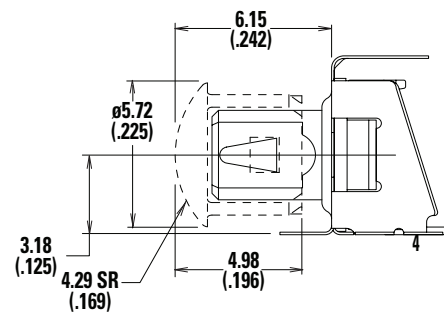
P4 Hard, 3.96mm²



S1 $\varnothing 0,1''$ For Press Fit Caps³



S2 $\varnothing 0,14''$ For Snap Fit Caps³



Notes:

- 1: B0, B1 & B2 available with A, A1 & A3 mounting bracket only.
- 2: P2, P3, P4 actuators suitable with A1 & A2 mounting bracket only.
- 3: S1 & S2 available with A1 & A2 mounting bracket only.
- 4: JM available with B0, B1, B2, P2, P3, P4 without mounting bracket.

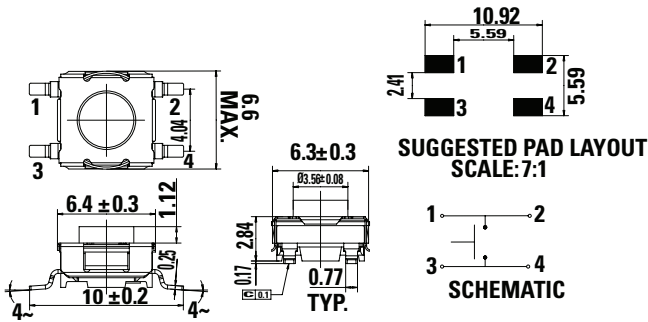
KT Series

Full SMT Top & Side Actuated Sealed Tactile Switch

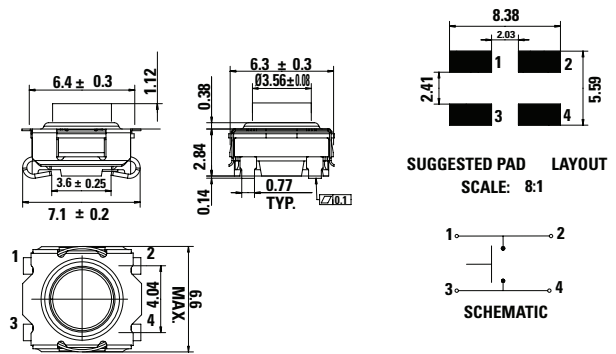


Orientation & Mounting Style

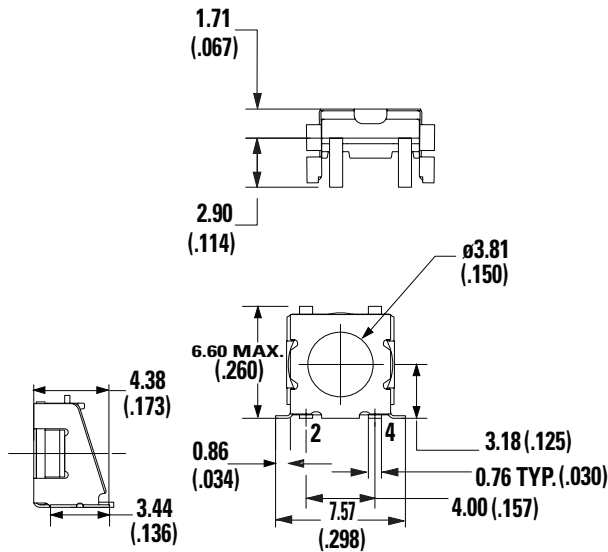
SM Top Gullwing



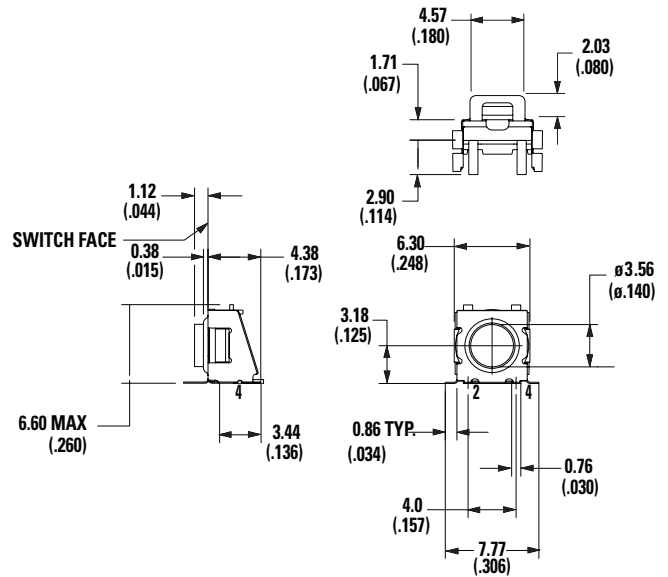
JM Top J Bend



SAM Right Angle



SA1M Right Angle with Front Solder Pad

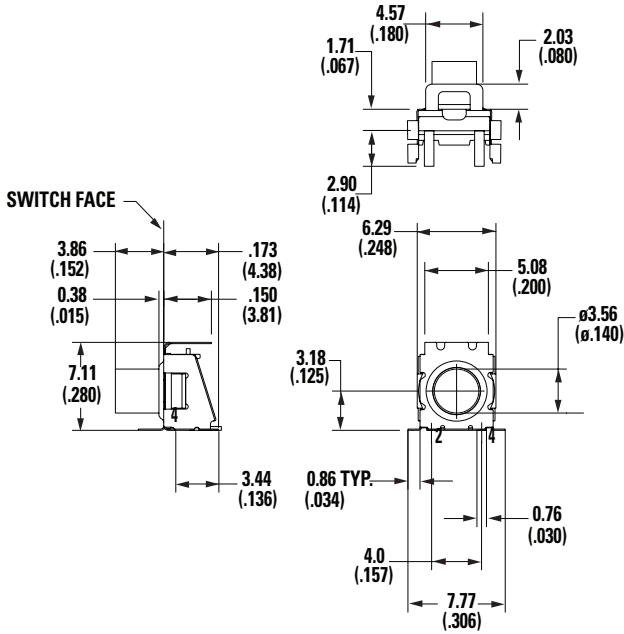


KT Series

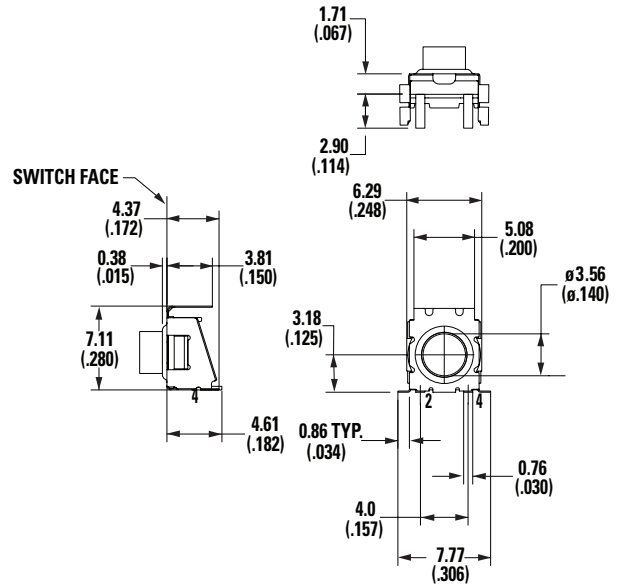
Full SMT Top & Side Actuated Sealed Tactile Switch



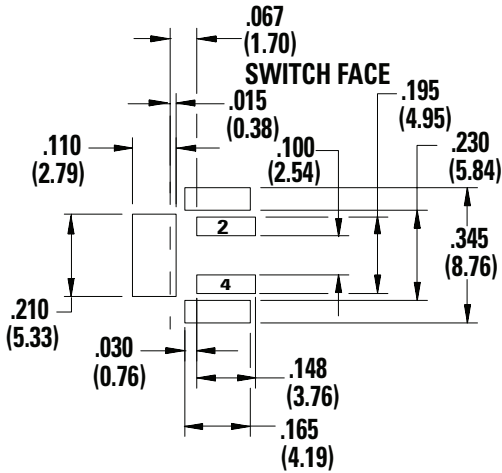
SA2M Right Angle with Front Solder Pad and Pick & Place Tab



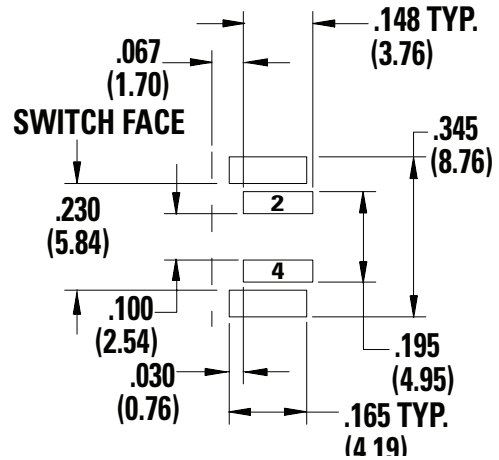
SA3M Right Angle with Pick & Place Tab



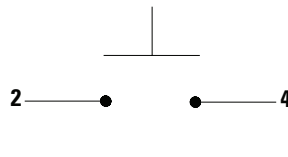
Pad Layout SA1M & SA2M Mounting Bracket



Pad Layout SAM & SA3M Mounting Bracket



Schematic



KT Series

Full SMT Top & Side Actuated Sealed Tactile Switch

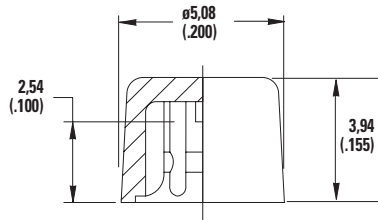


Button

02 Press Fit

Part Number	Internal Part Number	Button Color
BTN KT11 02 80	5081 01000	Ivory (Natural)
BTN KT11 02 90	5081 02000	Black
BTN KT11 02 40	5081 03000	Red

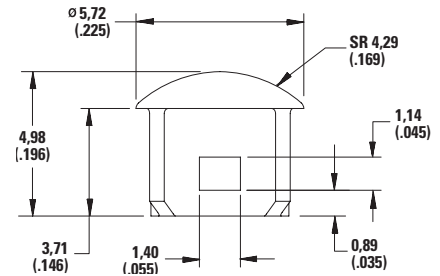
Materials: Nylon
Finish: Gloss



03 Snap Fit, High Temperature

Part Number	Internal Part Number	Button Color
BTN KT11 03 80	385B 01000	Ivory (Natural)
BTN KT11 03 90	385B 02000	Black

Materials: Nylon
Finish: Gloss



Disclaimer Notice - Information furnished is believed to be accurate and reliable. However, users should independently evaluate the suitability of and test each product selected for their own applications. Littelfuse products are not designed for, and may not be used in, all applications. Read complete Disclaimer Notice at <http://www.littelfuse.com/disclaimer-electronics>.