

PTS525 Series

Micro Miniature Tactile Switch for SMT 5.2 x 5.2 mm



Description

The PTS525 series of micro miniature tact switches for SMT are available in a ruggedized package, in a compact size, with either a 0.8mm or a 1.5mm actuator height. Often found designed into remote controls, instrumentation and various other consumer products, PTS525 switches can withstand harsh environments to keep working for a high number of cycles.

Features & Benefits

- 0.8 & 1.5 mm actuator height
- High number of cycles
- Ruggedized package in a compact size

Applications

- Consumer products
- Instrumentation
- Remote controls

Specifications

Function	Momentary action
Contact Arrangement	1 make contact SPST NO
Packaging	In reels of 5,000 pieces for 0.8 mm height. In reels of 4,000 pieces for 1.5 height. Dimensions of reels according to EIA 481B. External diameter 330 mm.

Electrical Characteristics

Max. Voltage	15 VDC
Max. Current DC	20 mA
Dielectric Strength	250 vA C (1mn)
Contact Resistance	≤ 100 mΩ
Insulation Resistance	≥ 100 mΩ
Bounce Time	≤ 10 ms

Environmental Characteristics

Operating Temperature	-20°C to 70°C
------------------------------	---------------

Process

Soldering	This component is suited to the following methods: Infrared Reflow Soldering in accordance with IEC61760-1
------------------	---

Notes:

Specifications listed above are for switches with standard options. For information on specific and custom switches, consult Customer Service Center. The PTS series is not certified for using in Automotive application and no PPAP. However, in the case of some automotive accessories and specific applications for 2 and 3 wheeled vehicles the PTS is widely used and very suitable. Please contact your local representative to discuss your application and the best switch solution.

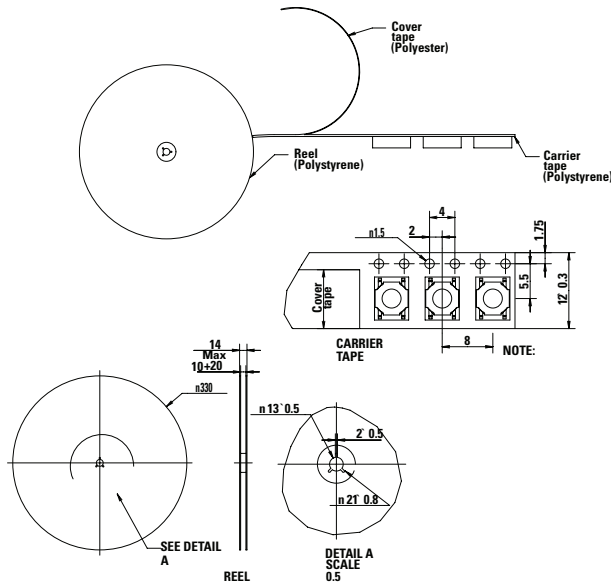
PTS525 Series

Micro Miniature Tactile Switch for SMT 5.2 x 5.2 mm

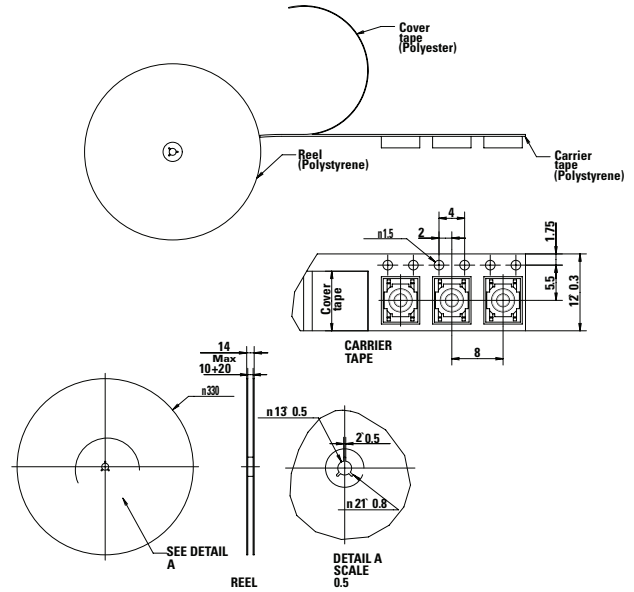


Tape & Reel

0.8 mm Height, 5,000 Pieces per Reel

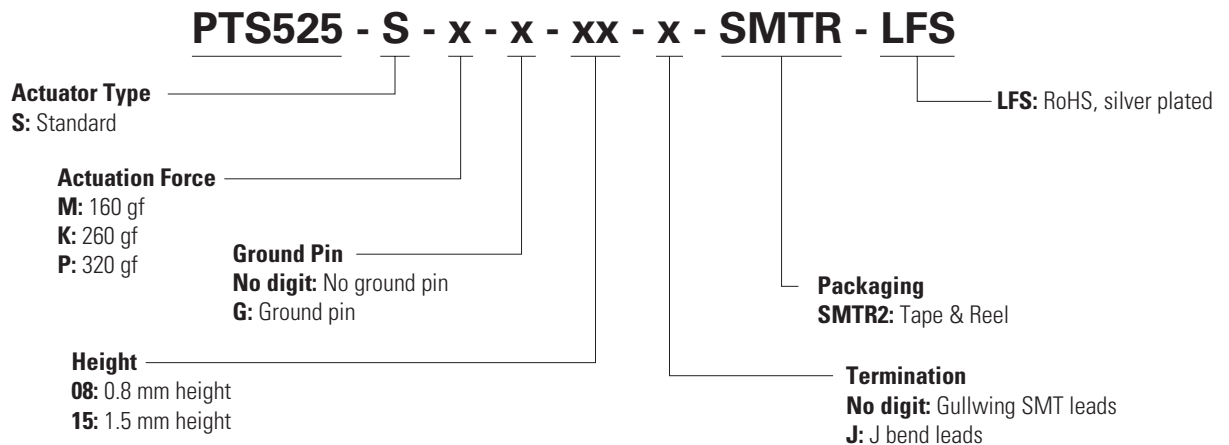


1.5 mm Height, 4,000 Pieces per Reel



Ordering Number

Our easy build-a-switch concept allows you to mix and match options to create the switch you need. To order, select desired option from each category and place it in the appropriate box. For any part number different from those listed above, please consult your local representative.



Disclaimer Notice - Information furnished is believed to be accurate and reliable. However, users should independently evaluate the suitability of and test each product selected for their own applications. Littelfuse products are not designed for, and may not be used in, all applications. Read complete Disclaimer Notice at <http://www.littelfuse.com/disclaimer-electronics>.