

# KSR Series

Sub-Miniature Tactile Switch for SMT 6.0 x 3.8 mm,  
with 2.5 mm Height Soft Actuator



## Description

The KSR series subminiature tact switch for SMT has 4 actuation forces and is an N.O. (normally open) and N.C. (normally closed) switch. With detect type available, The KSR series is ideal for industrial, medical and automotive applications that need emergency stop functionality should accidents occur.

## Features & Benefits

- 4 actuation forces
- G terminations
- N.O. and N.C.
- Detect type available
- Rubber actuator
- RoHS compliant and compatible

## Applications

- Transportation
- Medical equipment
- Industrial electronics
- Smart meters

### Specifications

<b>Function</b>	Momentary action
<b>Contact Arrangement</b>	Normally Open ( standard versions) Normally Closed (NC versions)
<b>Terminals</b>	Gullwing type for SMT
<b>Overload</b>	20 Newtons

### Electrical Characteristics

	Silver	Gold
<b>Maximum Power</b>	1 VA	0.2 VA
<b>Min. / Max. Voltage</b>	20 mV - 32VDC	
<b>Min. / Max. Current</b>	1 - 50 mA	1 - 10 mA
<b>Contact Resistance</b>	≤ 100 mΩ	
<b>Insulation Resistance</b>	(100 V): 1G Ω (between terminals)	
<b>Bounce Time</b>	1 ms max.	

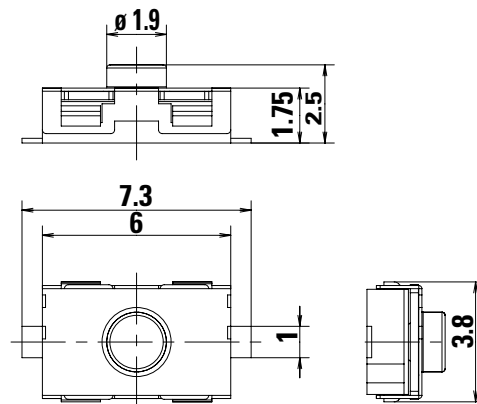
### Environmental Characteristics

	Silver	Gold
<b>Operating Temperature</b>	-40°C to 85°C	-40°C to 125°C
<b>Storage Temperature</b>	-55°C to 85°C	-55°C to 125°C

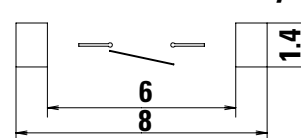
### Process

<b>Soldering</b>	Lead free reflow soldering process in accordance with IEC 61760-1
<b>Packaging</b>	Switches are delivered on continuous tape, in reels of 2,500 pieces

### Dimensions (mm)



### Recommended PCB layout



**KSR Series**Sub-Miniature Tactile Switch for SMT 6.0 x 3.8 mm,  
with 2.5 mm Height Soft Actuator**Mechanical Characteristics**

Part #	Operating Force Newtons (grams)	Operating Life (operations)	Travel (mm)
KSR211G LFS / KSR213G LFG	1.5 < 1.85 (185) < 2.2	100,000	0.25 ± 0.15
KSR221G LFS / KSR223G LFG	1.9 < 2.25 (225) < 2.6		0.3 ± 0.15
KSR231G LFS / KSR233G LFG	2.25 < 3.00 (300) < 3.75		0.35 ± 0.15
KSR251G LFS / KSR253G LFG	3.4 < 4.50 (450) < 5.6		0.5 ± 0.15
KSR221G NC LFS	1.5 < 2.25 (225) < 3	30,000	0.3 ± 0.15
KSR223G NC LFS	1.5 < 2 (200) < 2.5		

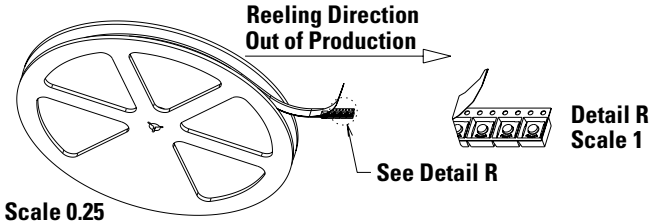
**Note:** Specifications listed above are for switches with standard options. For information on specific and custom switches, consult Customer Service Center. Detect switch versions are available. Please see Detect chapter KSR2D/M series.

# KSR Series

Sub-Miniature Tactile Switch for SMT 6.0 x 3.8 mm,  
with 2.5 mm Height Soft Actuator



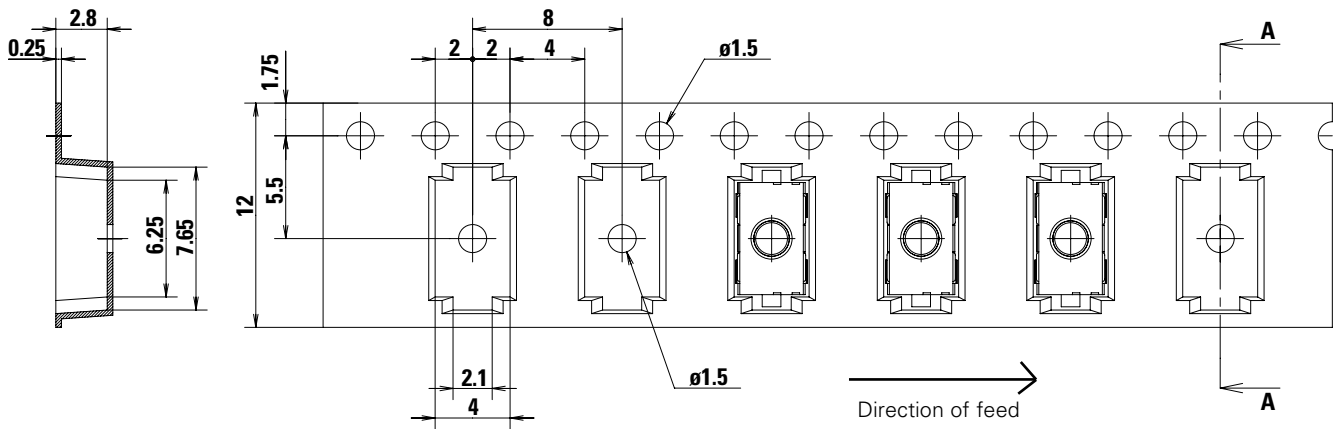
**Tape & Reel**



**Packaging Details**

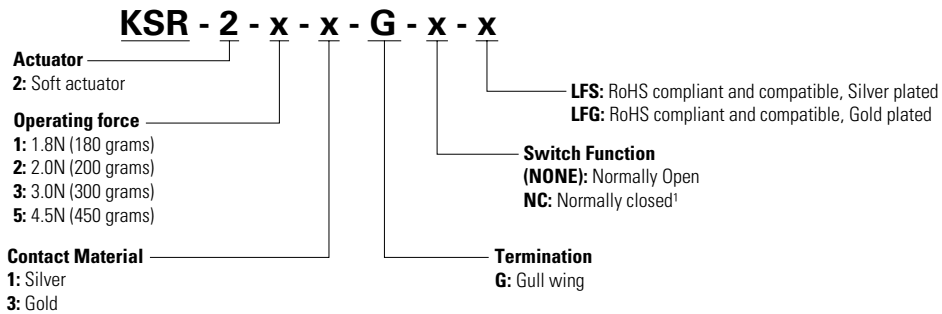
Type	Tape & reel
Number of Parts in Packaging	2,500
Other Information	Tape and reel per EIA 481
Transport Conditions	According to specification NF H00-060

**Tape & Reel**



**Ordering Number**

Our easy build-a-switch concept allows you to mix and match options to create the switch you need. To order, select desired option from each category and place it in the appropriate box. For any part number different from those listed above, please consult your local representative.



**Note:**  
1. Available on KSR22xG only

**Liability Limitation**

This datasheet does not provide enough information for applications that require a certain level of quality or safety such as automotive, medical systems, or safety equipment. Please contact customer service for the contractual specification package.

**Disclaimer Notice** - Information furnished is believed to be accurate and reliable. However, users should independently evaluate the suitability of and test each product selected for their own applications. Littelfuse products are not designed for, and may not be used in, all applications. Read complete Disclaimer Notice at <http://www.littelfuse.com/disclaimer-electronics>.

# KSR Long Life

200,000 cycles - Gold and Silver Series Subminiature  
Tactile Switch for SMT



## Specifications

<b>Function</b>	Momentary action
<b>Contact Arrangement</b>	Normally Open
<b>Terminals</b>	Gullwing type for SMT
<b>Overload</b>	20 Newtons
<b>Packaging</b>	Switches are delivered on continuous tape, in reels of 2,500 pieces

## Electrical Characteristics

	Silver	Gold
<b>Maximum Power</b>	1 VA	0.2 VA
<b>Min. / Max. Voltage</b>	20 m VDC - 32VDC	
<b>Min. / Max. Current</b>	1 - 50 mA	1 - 10 mA
<b>Contact Resistance</b>	≤ 100 mΩ	
<b>Insulation Resistance</b>	(100 V): 1 G Ω (between terminals)	
<b>Bounce Time</b>	1 ms max.	

## Environmental Characteristics

	Silver	Gold
<b>Operating Temperature</b>	-40°C to 85°C	-40°C to 125°C
<b>Storage Temperature</b>	-55°C to 85°C	-55°C to 125°C

**Note:** Specifications listed above are for switches with standard options. For information on specific and custom switches, consult Customer Service Center.

## Description

The KSR series subminiature tact switch for SMT has 4 actuation forces and is an N.O. (normally open) and N.C. (normally closed) switch. With detect type available, KSR is ideal for industrial, medical and automotive applications that need emergency stop functionality should accidents occur.

## Features & Benefits

- 4 actuation forces
- G terminations
- N.O.
- Detect type available
- Rubber actuator
- IP50 sealed
- RoHS compliant and compatible

## Applications

- Automotive
- Medical equipment
- Industrial electronics

## Process

### Soldering

Compatible lead free reflow soldering process

## Mechanical Characteristics

Part #	Operating Force (Fa) Newtons (grams)	Operating Life (operations)	Travel (mm)
<b>Silver Versions</b>			
KSR212G LFS	1.5 < 1.85 (185) < 2.2	200,000	0.25 ± 0.15
KSR222G LFS	1.9 < 2.25 (225) < 2.6		0.3 ± 0.15
KSR232G LFS	2.25 < 3.00 (300) < 3.75		0.35 ± 0.15
KSR252G LFS	3.4 < 4.50 (450) < 5.6		0.5 ± 0.15
<b>Gold Versions</b>			
KSR214G LFG	1.5 < 1.85 (185) < 2.2	200,000	0.25 ± 0.15
KSR224G LFG	1.9 < 2.25 (225) < 2.6		0.3 ± 0.15
KSR234G LFG	2.25 < 3.00 (300) < 3.75		0.35 ± 0.15
KSR254G LFG	3.4 < 4.50 (450) < 5.6		0.5 ± 0.15

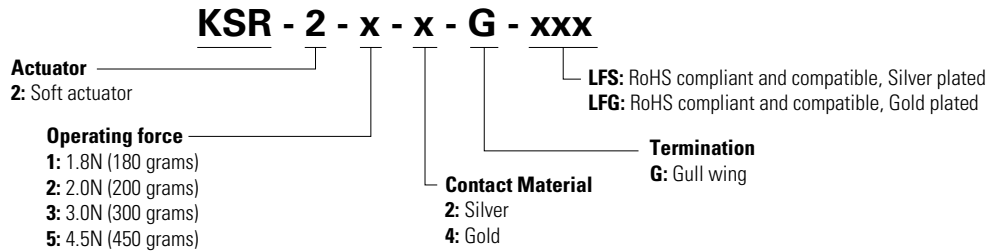
# KSR Long Life

200,000 cycles - Gold and Silver Series Subminiature  
Tactile Switch for SMT

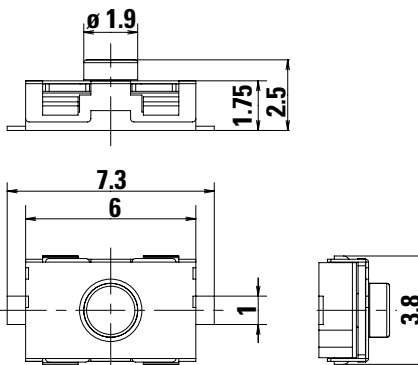


### Ordering Number

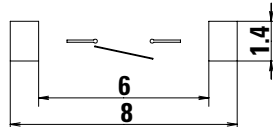
Our easy build-a-switch concept allows you to mix and match options to create the switch you need. To order, select desired option from each category and place it in the appropriate box. For any part number different from those listed above, please consult your local representative.



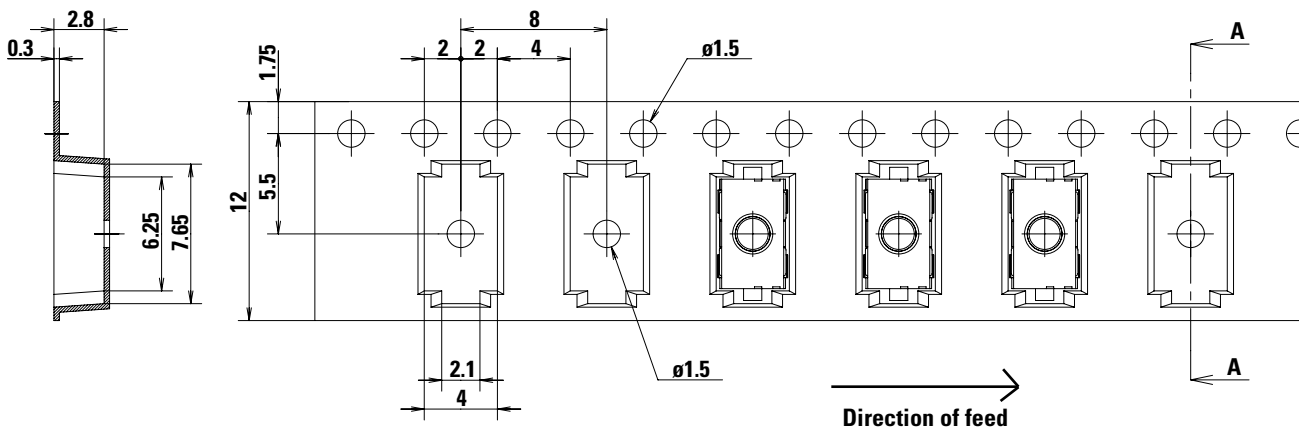
### KSR



### Recommended PCB layout



### Tape & Reel



**Disclaimer Notice** - Information furnished is believed to be accurate and reliable. However, users should independently evaluate the suitability of and test each product selected for their own applications. Littelfuse products are not designed for, and may not be used in, all applications. Read complete Disclaimer Notice at <http://www.littelfuse.com/disclaimer-electronics>.