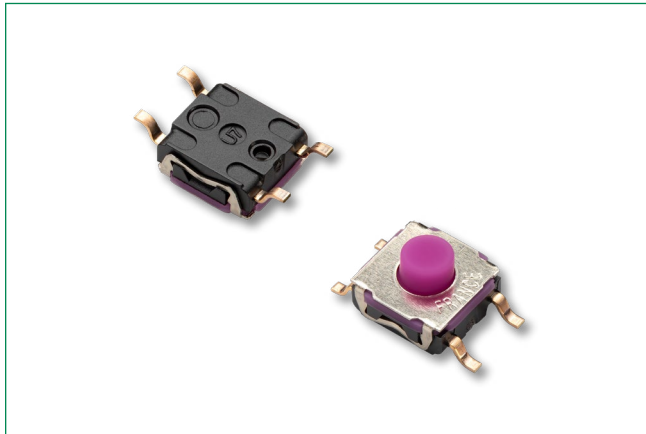


KSE Series

Sealed Tactile Switch for SMT 6.2 x 6.2 mm,
with 3.1 or 4.3 mm Height Soft Actuator



Specifications

Function	Momentary action
Contact Type	1 make contact = SPST, N.O.
Terminals	J bend & Gullwing type for SMT
Packaging	In reels of 2,000 pieces Dimensions of reels according to EIA RS481 or IEC 2863. External diameter 330 mm ± 2 mm.

Environmental Characteristics

Operating Temperature	-40°C to 85°C
Storage Temperature	-55°C to 85°C

Electrical Characteristics

Maximum Power	1 VA
Min. / Max. Voltage	20mV - 32VDC
Min. / Max. Current	1 - 50 mA
Dielectric Strength	(50 Hz, 1 min.) ≥ 250 V
Contact Resistance	≤ 100 mΩ
Insulation Resistance	(100 V): > 10 ⁹ Ω
Bounce Time	≤ 1 ms

Process

Soldering	Depending on the application, this component is suited to the following methods: Cleaning according to typical washing processes. Lead free reflow soldering process in accordance with IEC 61760-1.
------------------	---

Notes: Specifications listed above are for switches with standard options. KSE series is not subject to adaptation and/or modification for specific use. If you require additional features, please refer to the KSC series. KSE is not recommended for applications requiring high level of performance such as aerospace, automotive and some industrial applications.

Description

The KSE series low profile tact switch is designed for industrial and consumer electronics as well as home applications. The switch's ruggedness is ideal for applications that must endure vibration, moisture, humidity, dust and other contaminants. The cost-effective KSE is an IP67 rated switch.

Features & Benefits

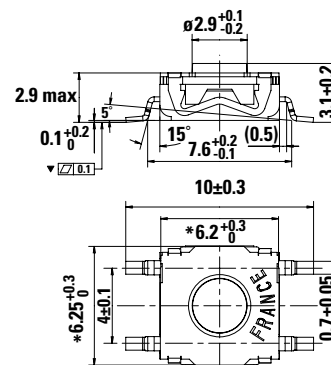
- Low profile
- Cost efficient
- J or G terminations
- Tape and reel
- IP67

Applications

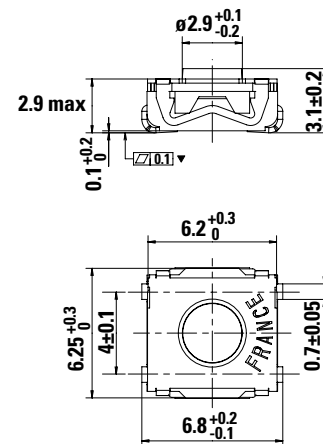
- Smart meters
- Home appliances
- Consumer electronics
- Industrial electronics
- Telecommunications

Dimensions (mm)

G - Gullwing



J - J Bend



KSE Series

Sealed Tactile Switch for SMT 6.2 x 6.2 mm,
with 3.1 or 4.3 mm Height Soft Actuator

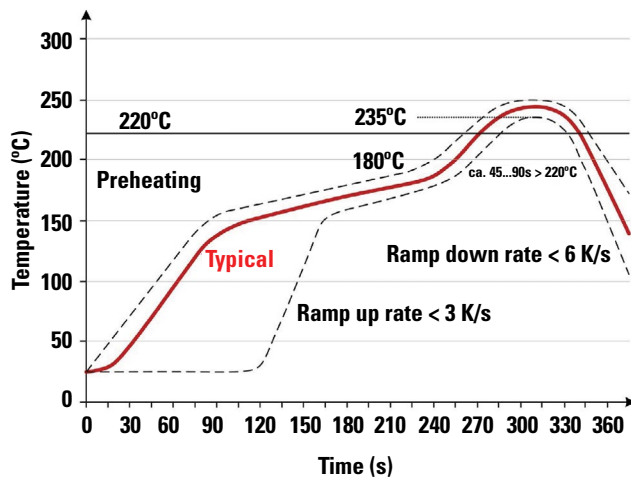


Mechanical Characteristics

Part #	Force (N)	Operating Life (operations)	Travel (mm)
KSEM31JLFS	1.6±0.6	300,000	0.3 + 0.1/-0.2
KSEM31GLFS	1.6±0.6	300,000	0.3 + 0.1/-0.2
KSEK43JLFS	2.25 ± 0.75	300,000	0.3±0.2
KSEK43GLFS	2.25 ± 0.75	300,000	0.3±0.2

Note: For cost effectiveness the tactile feeling is not specified and can change along production. If your application requires a defined tactile effect, please consider KSC series for your application.

Soldering Profile



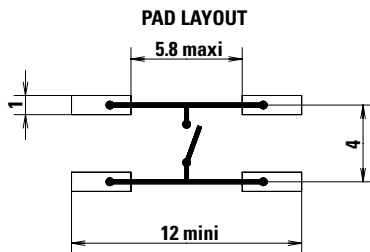
Note: Up to 2 reflow cycles in accordance with the above temperature profile

Soldering process: Depending on the application, this component is suited to the following methods:

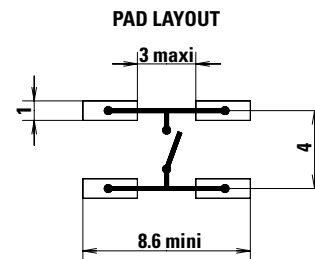
- Terminals being silver or gold plated over a nickel barrier, the use of slightly activated flux is suitable.
- Lead free soldering process in accordance with the definition on the left.

Termination (mm)

G - Gullwing



J - J Bend

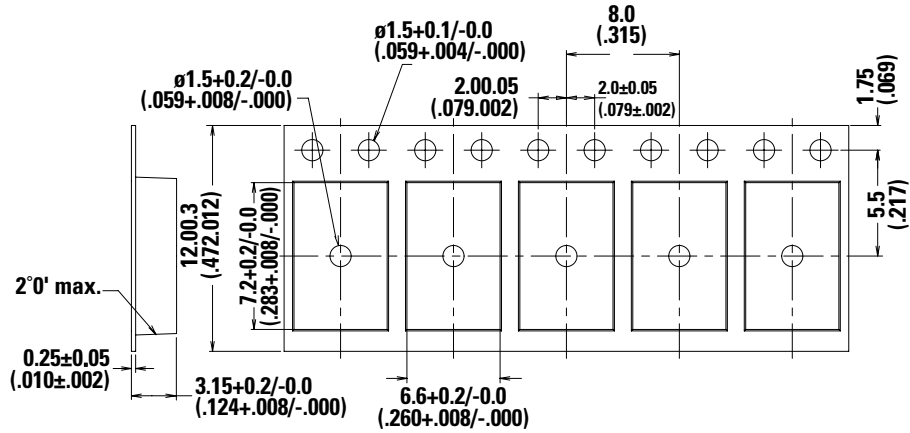


KSE Series

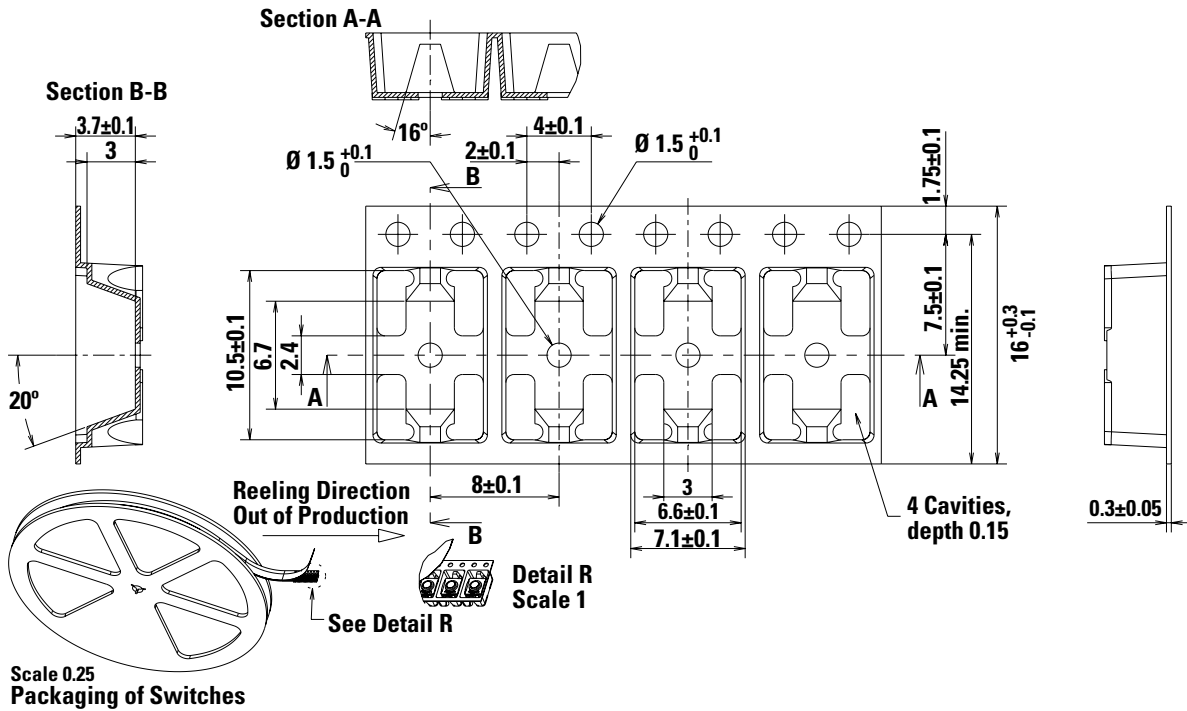
Sealed Tactile Switch for SMT 6.2 x 6.2 mm,
with 3.1 or 4.3 mm Height Soft Actuator



Tape & Reel inches (mm)
12 mm height



16 mm height



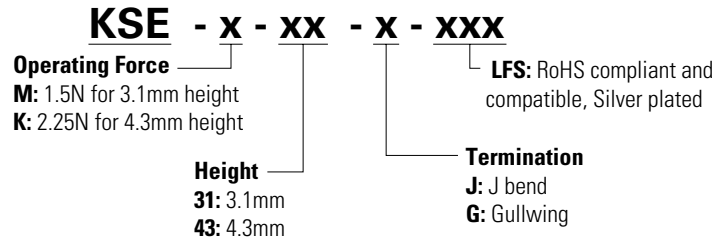
KSE Series

Sealed Tactile Switch for SMT 6.2 x 6.2 mm,
with 3.1 or 4.3 mm Height Soft Actuator



Ordering Number

Our easy build-a-switch concept allows you to mix and match options to create the switch you need. To order, select desired option from each category and place it in the appropriate box. For any part number different from those listed above, please consult your local representative.



Liability Limitation

This datasheet does not provide enough information for applications that require a certain level of quality or safety such as automotive, medical systems, or safety equipment. Please contact customer service for the contractual specification package.

Disclaimer Notice - Information furnished is believed to be accurate and reliable. However, users should independently evaluate the suitability of and test each product selected for their own applications. Littelfuse products are not designed for, and may not be used in, all applications. Read complete Disclaimer Notice at <http://www.littelfuse.com/disclaimer-electronics>.