

CR Series

Round Single Pole Specialty Rocker Switches



Description

The CR series are round single pole specialty rocker switches, perfect for use in small and large appliances, computers and peripherals and audio/video equipment. With a round actuator and body, an IP65 rated splash proof rubber boot option and multiple illuminated versions available, CR switches are sure to give designers what they need.

Features & Benefits

- Round actuator and body
- Multiple illuminated versions available
- IP65 splash proof rubber boot option
- Nice styling

Applications

- Appliances, small and large
- Office equipment
- Computers and peripherals
- Audio/Video equipment
- RoHS compliant

Agency Approvals

Agency	Agency File Number
	E42363

Specifications

Contact Rating	16 Amps @ 125 VAC 10 Amps @ 250 VAC
Electrical Life	10,000 make-and-break cycles at full load
Dielectric Strength	1,500 Vrms min. @ sea level
Insulation Resistance	10 ⁹ Ω min.
Operating Temperature	-20°C to 85°C ¹

Notes:

1. The operating temperature has a maximum of 65°C

Materials

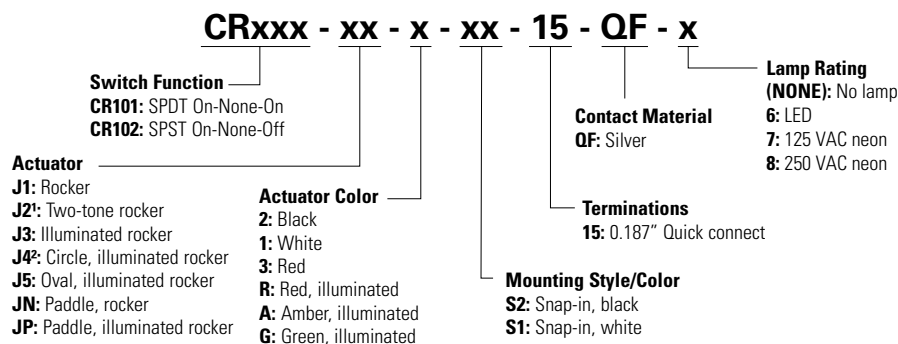
Actuator & Housing	6/6 nylon (UL 94V-2), matte finish
Illuminated Actuator	Polycarbonate, matte finish
Center Contacts	Silver plated, copper alloy
End Contacts	Silver plated AgSnO ₂ InO ₃
All Terminals	Silver plated, copper alloy

Notes:

Specifications and materials listed above are for switches with standard options. For information on specific and custom switches, consult Customer Service Center.

Ordering Number

To order, simply select desired option from each category and place in the appropriate box. For additional options not shown in catalog, consult Customer Service Center.



Notes: Refer to table on page 2 for actuator options.

CR Series

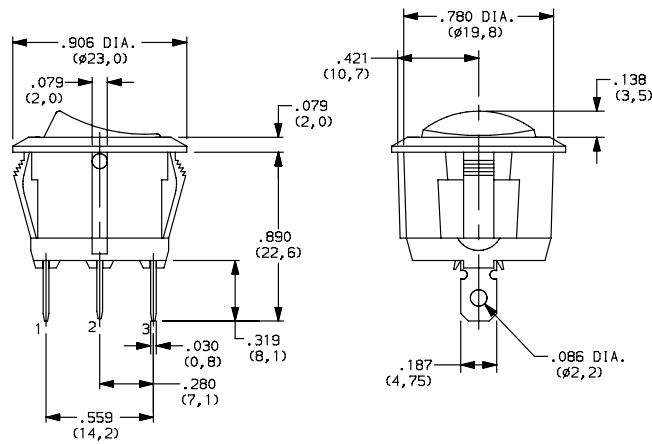
Round Single Pole Specialty Rocker Switches



Switch Function

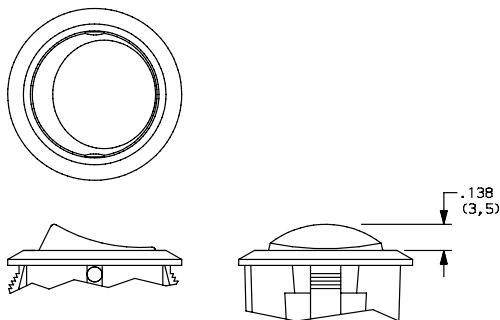
No. Poles	Model No.	Switch Function			Connected Terminals			Schematic
		C&K marking on opposite side						
		POS.1	POS.2	POS.3	POS.1	POS.2	POS.3	
SP	CR101	ON	NONE	ON	2-3	N/A	2-1	
SP	CR102	ON	NONE	OFF	2-3	N/A	2-1	 For 7 & 8 Illuminated Versions
SP	CR102	ON	NONE	OFF	2-3	N/A	2-1	

Inches (mm)

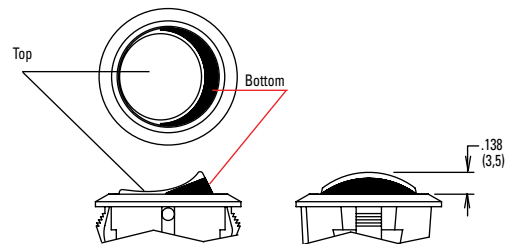


Actuator

J1 Rocker
J3 Illuminated Rocker
Inches (mm)



J2 Two-Tone Rocker
Inches (mm)



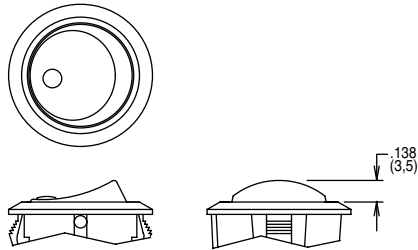
Note: J3 actuator available with the combination of 7 & 8 lamp ratings and CR102 switch function only.

CR Series

Round Single Pole Specialty Rocker Switches

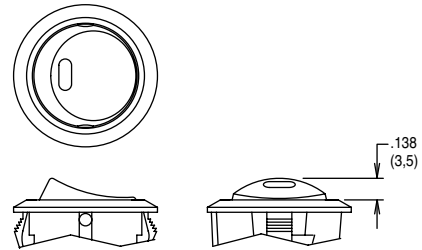


J4 Circle, Illuminated Rocker
Inches (mm)



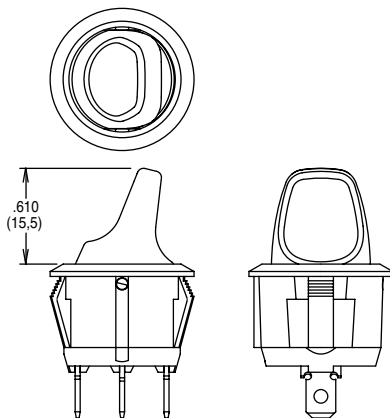
Note: Available with the combination of CR102 switch function and 7 & 8 lamp ratings only.

J5 Oval, Illuminated Rocker
Inches (mm)



Note: Available with the combination of CR102 switch function and 6 lamp ratings only.

JN Paddle, Rocker
JP Paddle, Illuminated Rocker
Inches (mm)



Note: Available with the combination of CR102 switch function and 7 & 8 lamp ratings only.

Actuator Color

Actuator	Option Code	Actuator Color
J1	2	Black
	1	White
	3	Red
J3, J4 J5, JP	R	Red, Illuminated
	A	Amber, Illuminated
	G	Green, Illuminated

Actuator	Option Code	Actuator Color	
		Top	Bottom
J2	1	White	Red
	2	White	Black
	3	Red	White
	4	Black	White
	5	Black	Red

Note: J2 actuator only

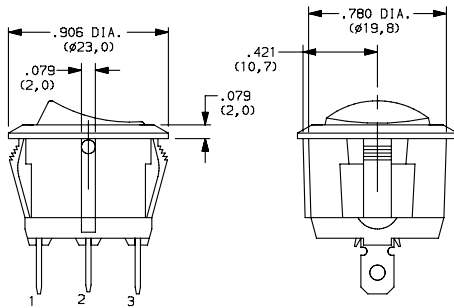
CR Series

Round Single Pole Specialty Rocker Switches

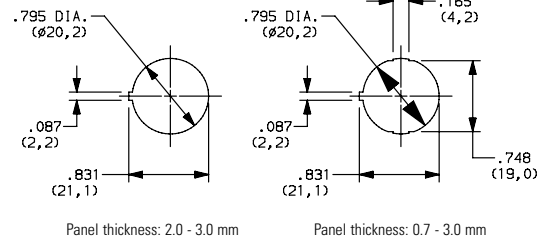


Mounting Style/Color

S2 Snap-in, Black
S1 Snap-in, White
Inches (mm)

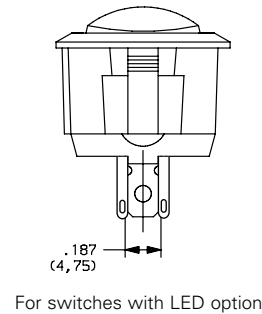
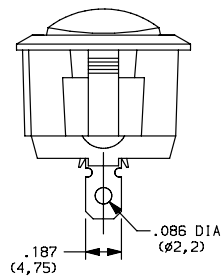
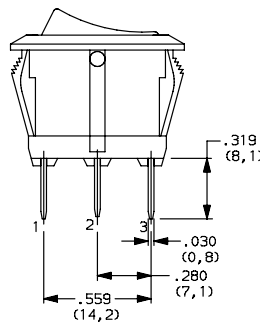


Panel Mounting
Inches (mm)



Terminations

15 0.187" Quick Connect Inches (mm)



Contact Material

Option Code	Contact and Terminal Material	Ratings	
QF	Silver	Power	16 Amps @ 125 VAC; 10 Amps @ 250 VAC us

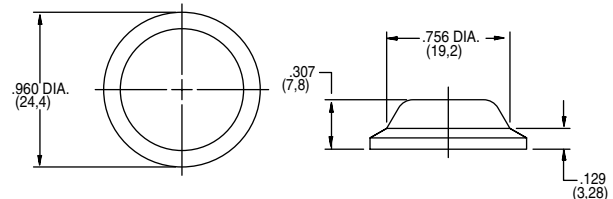
Notes: See Technical Data section of this catalog for RoHS compliant and compatible definitions and specifications.

Lamp Rating

- (NONE) No Lamp
- 6 LED Rating @ 10 mA Vf = 1.85V
- 7 125 VAC 33kΩ Neon
- 8 250 VAC 150kΩ Neon

Accessories

377C00000 IP65 Splash Proof Rubber Boot
Inches (mm)



Disclaimer Notice - Information furnished is believed to be accurate and reliable. However, users should independently evaluate the suitability of and test each product selected for their own applications. Littelfuse products are not designed for, and may not be used in, all applications. Read complete Disclaimer Notice at <http://www.littelfuse.com/disclaimer-electronics>.