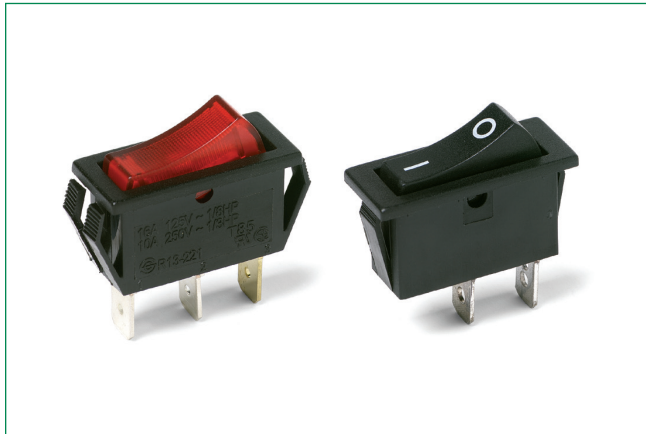


# CM Series

## Single Pole Power Rocker Switches



### Description

Designers of power supplies, industrial equipment and small appliances need a quality rocker switch that can withstand repeated use. That's why so many turn to the CM series single pole power rocker switch. The CM series feature an easy to install snap-in design and are available with multiple actuator and termination styles as well as various types of illumination.

### Features & Benefits

- Illuminated versions available
- Easy to install snap-in design
- Multiple actuator and termination styles to choose from

### Applications

- Computers and peripherals
- Power supplies
- Industrial equipment
- Small appliances
- RoHS compliant

### Agency Approvals

Agency	Agency File Number
	E42363

### Specifications

<b>Contact Rating</b>	16 amps @ 125 VAC, 1/8 HP; 10 amps @ 250 VAC, 1/3 HP.
<b>Electrical Life</b>	10,000 make-and-break cycles at full load.
<b>Dielectric Strength</b>	1,500 Vrms min. @ sea level.
<b>Insulation Resistance</b>	10 <sup>8</sup> Ω min.
<b>Operating Temperature</b>	-20°C to 80°C

### Materials

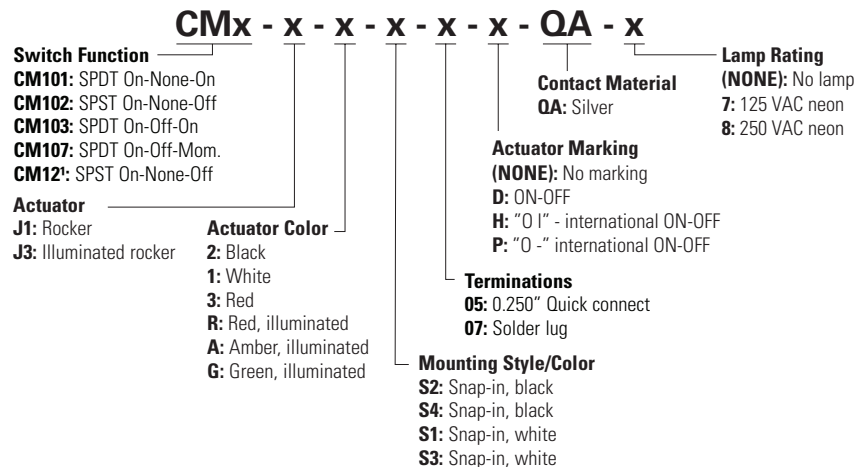
<b>Actuator &amp; Housing</b>	6/6 nylon (UL 94V-2), black, gloss or matte finish.
<b>Illuminated Actuator</b>	Polycarbonate, gloss or matte finish.
<b>Center Contacts</b>	Silver plated, copper alloy.
<b>End Contacts</b>	Silver plated.
<b>All Terminals</b>	Silver plated, copper alloy.

**Notes:**

Specifications and materials listed above are for switches with standard options. For information on specific and custom switches, consult Customer Service Center.

### Ordering Number

To order, simply select desired option from each category and place in the appropriate box. For additional options not shown in catalog, consult Customer Service Center.



**Notes:**

1. CM12 — for switches with both marking and illumination

# CM Series

## Single Pole Power Rocker Switches

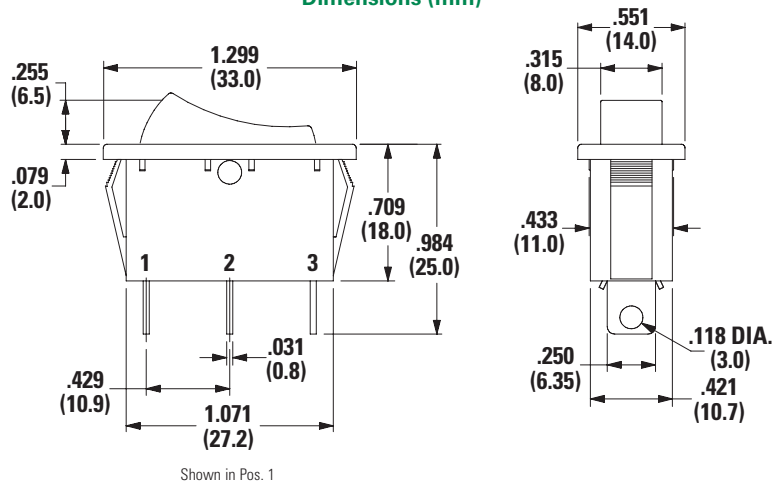


### Switch Function

No. Poles	Model No.	Switch Function			Connected Terminals			Schematic
		C&K marking on opposite side						
		POS.1 	POS.2 	POS.3 	POS.1 	POS.2 	POS.3 	
SP	CM101	ON	NONE	ON	2-1	N/A	2-3	
	CM102	ON	NONE	OFF				
SP	CM103	ON	OFF	ON	2-1	OPEN	2-3	
	CM107			MOM.				
SP	CM12 <sup>1</sup>	ON	NONE	OFF	2-1	N/A	OPEN	

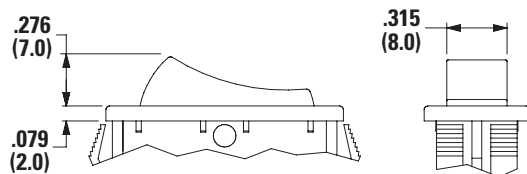
**Note:**  
1. CM12 — for switches with both marking and illumination

### Dimensions (mm)



### Actuator Dimensions (mm)

#### J1 Rocker J3 Illuminated Rocker



### Actuator Color

Option Code	Actuator Color
2	Black
1	White
3	Red
R	Red, Illuminated
A	Amber, Illuminated
G	Green, Illuminated

**Note:**  
1. J3 actuator available with CM102 & CM12 switch function only

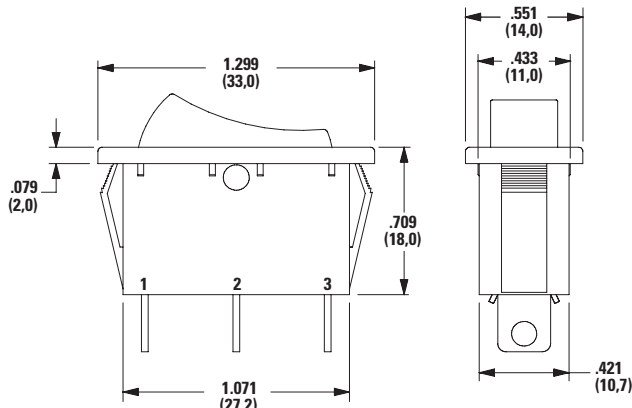
# CM Series

## Single Pole Power Rocker Switches



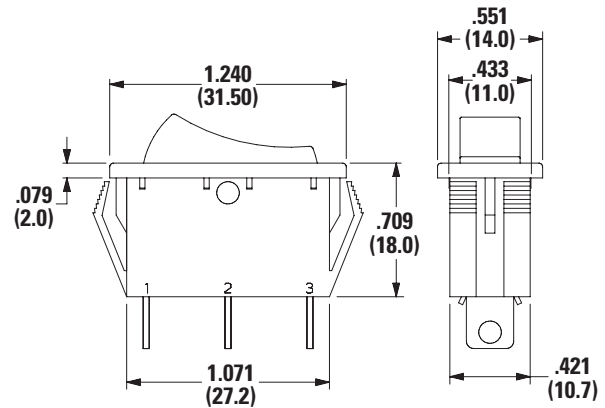
### Mounting Style/Color Dimensions (mm)

**S2 Snap-in, Black**  
**S1 Snap-in, White**



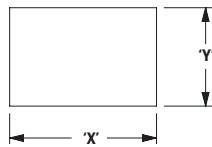
Shown in Pos. 1

**S4 Snap-in, Black (Short-Frame)**  
**S3 Snap-in, White**



Shown in Pos. 1

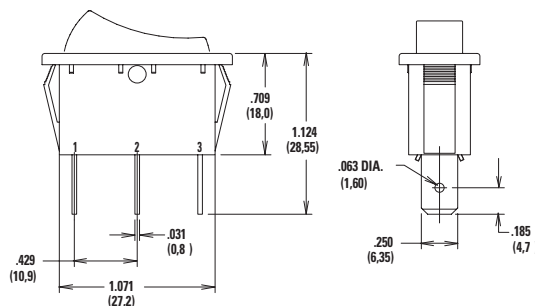
### Panel Mounting



Panel Thickness	"X"	"Y"
0.030-0.049 (0.75-1.25)	1.189-0.004 (30.2-0.1)	0.441 + 0.004 (11.2+0.1)
0.049-0.079 (1.25-2.0)	1.197-0.004 (30.4-0.1)	0.441 + 0.004 (11.2+0.1)
0.079-0.118 (2.0-3.0)	1.212-0.004 (30.8-0.1)	0.441 + 0.004 (11.2+0.1)

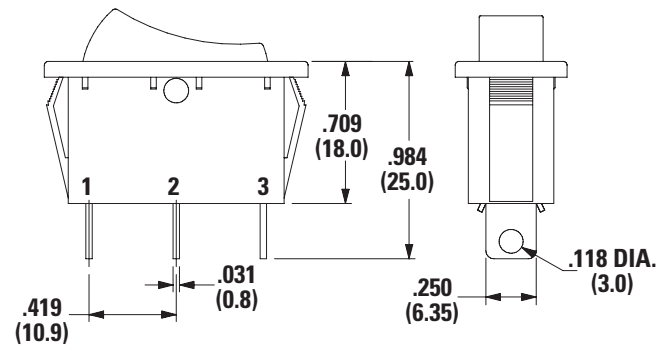
### Termination Dimensions (mm)

**05 0.250" Quick Connect**



Shown in Pos. 1

**07 Solder Lug**



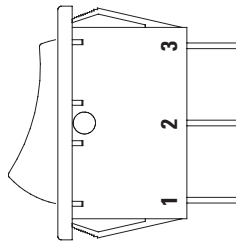
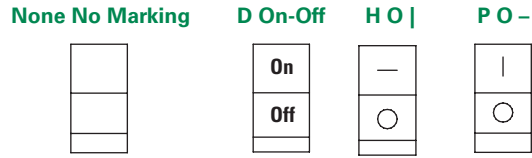
Note: Available with CM102 & CM12 switch functions only.

# CM Series

## Single Pole Power Rocker Switches



### Actuator Markings



Shown in Pos. 1

**Note:** Orientation of actuator marking and terminals.

### Contact Material

Option Code	Contact and Terminal Material	Ratings	
QA	Silver	Power	16 amps @ 125 VAC; 1/8 HP 10 amps @ 250 VAC, 1/3 HP

**Notes:** See Technical Data section of this catalog for RoHS compliant and compatible definitions and specifications. us

### Lamp Rating

- (NONE) No Lamp
- 7 125 VAC 33kΩ Neon
- 8 250 VAC 150kΩ Neon

**Note:** Lamp rating for J3 & J8 actuator option.